

CODE NUMBER

3913293

DESCRIPTION

1.0 gpf, Rough Brass Finish, Rear Spud, Single Flush, 2-10.75 L Dimension, Hardwired, Solenoid-Operated, 24V, Royal® Concealed Solenoid (less sensor) Hardwired Urinal Flushometer.

DETAILS

- Flush Volume: 1.0 gpf (3.8 Lpf)
- Finish: Rough Brass (RB)
- Power Type: Hardwired (HW)
- Valve: Diaphragm
- Valve Body Material: Semi-red Brass
- Fixture Type: Urinal
- Fixture Connection: Rear Spud
- Rough-In Dimension: 13 ½" (343mm)
- Spud Coupling: ¾" (19mm)
- Supply Pipe: ¾" (19mm)
- L Dimension: 2" - 10 ¾" (51-273mm) (2-10-3/4-LDIM)
- Voltage: 24V (24V)

FEATURES

Quiet, diaphragm type, rough brass closet

- Non-Hold-Open Integral Solenoid Operator
 - High Back Pressure Vacuum Breaker
 - PERMEX® Synthetic Rubber Diaphragm with Dual Filtered Fixed Bypass
 - Diaphragm, handle packing, stop seat and vacuum breaker molded from PERMEX rubber compound for chloramine resistance
 - 3/4" I.P.S. Screwdriver Bak-chek® angle Stop
 - Sweat Solder Adapter w/Cover Tube and Cast Wall Flange with Set Screw
- Non-Hold-Open Integral Solenoid Operator, Fixed Metering Bypass and No External Volume Adjustment to Ensure Water Conservation
- Model ES flushometers are activated remotely by an electric push button (not included). "ES" flushometers offer solutions for installations that require automatic, remote or other control requirements



COMPLIANCES & CERTIFICATIONS



(UL Certified, ADA Compliant, cUPC Certified, BAA Compliant)

RECOMMENDED SPECIFICATION

Valve Body, Cover, Tailpiece and Control Stop shall be in conformance with ASTM Alloy Classification for Semi- Red Brass. Valve shall be in compliance with the applicable sections of ASSE 1037 and ANSI/ASME 112.19.2.

VALVE OPERATING PRESSURE (FLOWING)

15-80 PSI (103-552 kPa). Specific fixtures may require greater minimum flowing pressure - consult manufacturer requirements.

DOWNLOADS

- [Sloan Concealed Installation Instructions](#)
- [Control Stop Repair and Maintenance Guide](#)
- [Flush Connections Flanges Repair and Maintenance Guide](#)
- [Tail Piece Repair and Maintenance Guide](#)
- [Additional Downloads](#)

NOTES

All information contained within this document subject to change without notice.

Looking for other variations of the ROYAL 195 ES product? [View the general spec sheet with all options.](#)

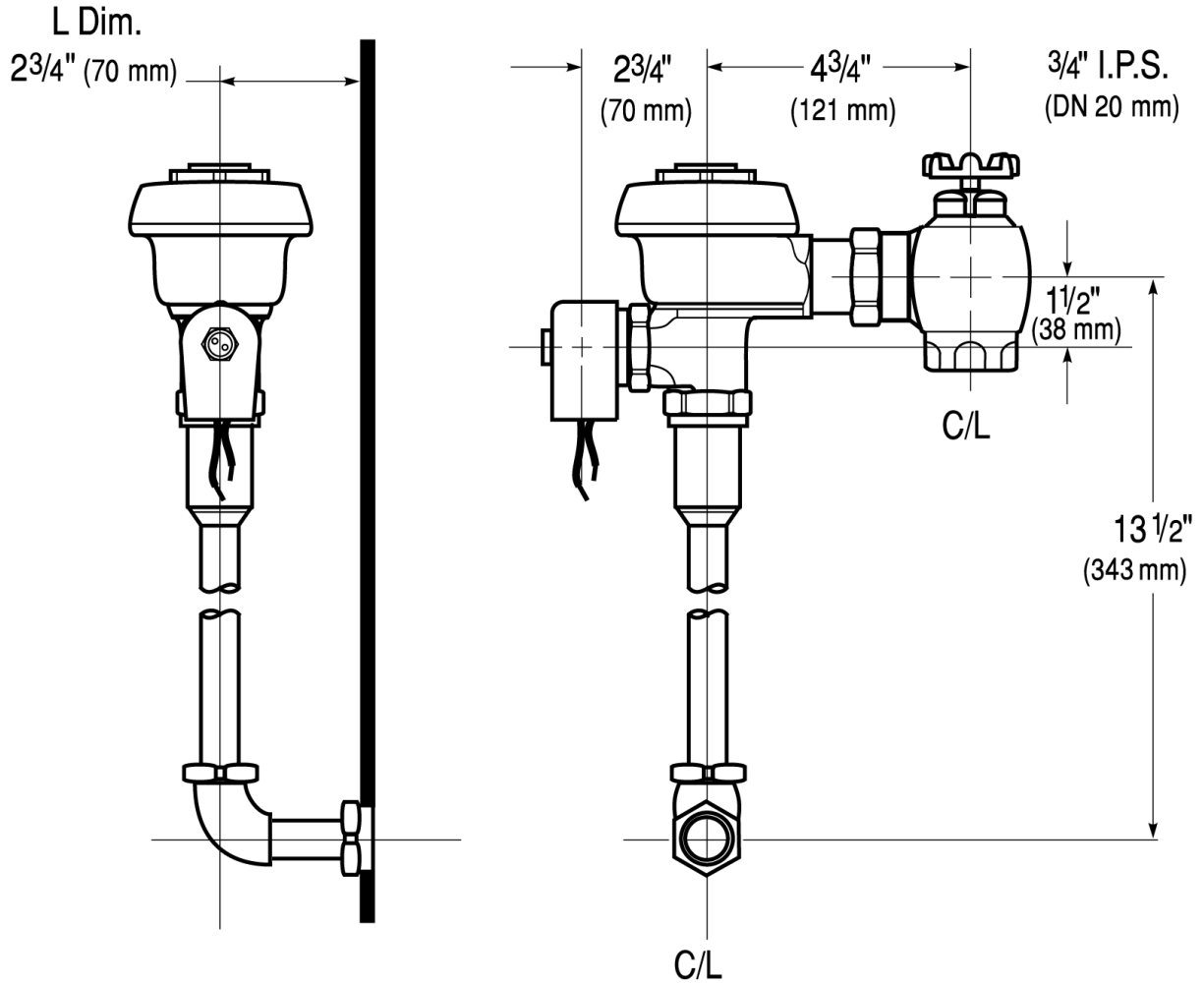
[Find a compatible urinal](#) for this flushometer.

[Find a compatible water closet](#) for this flushometer.

Sloan 10500 Seymour Ave, Franklin Park, IL 60131

Phone: 800.982.5839 • Fax: 800.447.8329 • sloan.com

ROUGH-IN



Sloan 10500 Seymour Ave, Franklin Park, IL 60131
Phone: 800.982.5839 • Fax: 800.447.8329 • sloan.com